

FUSO HEAVY



CONFIGURATION	GVM	GCW	KERB WEIGHT	W/BASE	CODE
6X4	24.0T	60.0T	7860KG	3860MM	FV54SJR5VFAB

PERFORMANCE

Maximum Speed:	118km/hr
100km/hr speed limiter available	
Gradeability at Rated GCM:	26%
Turning Radius (kerb to kerb):	6.4m

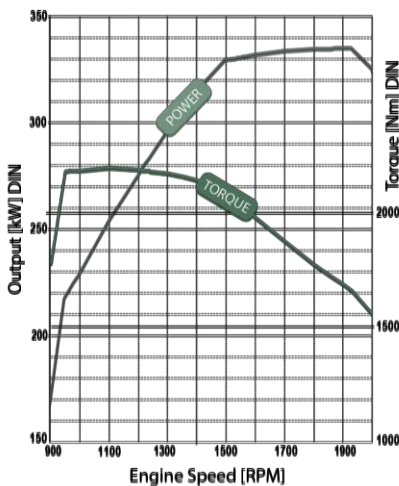
ENGINE

Mitsubishi Fuso OM457-T5 12L (Euro V)

Configuration:	Inline - 6 Cylinder
Type:	OHV, 4 Valve, Waste Gate Turbo with Intercooler
Displacement:	11967cc
Bore x Stroke:	128mm x 155mm
Power (DIN nett):	335 kW @ 1900 rpm (JIS Gross: 470 ps*)
Torque (DIN nett):	2200 Nm @ 1100 rpm (JIS Gross: 1644 lb/ft*)
Maximum Engine Speed:	2200 rpm
Compression Ratio:	18.5:1

* Calculated

OM457 ENGINE PERFORMANCE



FUEL

Pump:	Bosch Unit Injectors
Governor:	Electronic
Filtration:	Main filter with water separator
Fuel Capacity:	350L Steel tank with lockable cap
Air Cleaner:	RHS snorkel with single element and electronic dust indicator
Cold Start Preheat:	Standard

EMISSION SYSTEM

Emission Standard:	Euro V
Box muffler LHS. Exhaust with BLUETEC® SCR AfterTreatment System. 40L ADBLUE tank with on dash gauge	

COOLING

Fan:	750mm diameter with 8 Blades
Fan Drive:	Viscous Clutch
Radiator:	Aluminium

ELECTRICAL

Voltage:	24 volt neg earth
Alternator Capacity:	24v - 80 amp
Heavy Duty Batteries:	2 x 12v, 150Ah/20hr

CLUTCH

Description:	FUSO MFZ 2X400
Type:	400 mm twin plate with
Operation:	Fully Automated with Hill Start Assist

TRANSMISSION

Model:	FUSO INOMAT II G330-12 AMT (2 Pedal Type)
No. of Speeds:	12
Ratios:- 1st:	11.639
- 2nd:	9.02
- 3rd:	7.035
- 4th:	5.452
- 5th:	4.400
- 6th:	3.410
- 7th:	2.645
- 8th:	2.050
- 9th:	1.598
- 10th:	1.239
- 11th:	1.000
- 12th:	0.775
Reverse:	High: 9.9:1 Low: 12.774:1
Control:	INOMAT II Automated shift with auto and manual shift modes and Hill Start Assist
Additional Modes:	Start gear select, Slow Manoeuvre, Economy, Reverse high/low
Oil Cooler:	T/M oil cooler (air cooling type)
PTO Opening:	Rear Mounting

PROPELLOR SHAFT

Type: Main:	GW5E220 with guard
Interaxle:	P12

FRONT AXLE

Type:	F900T
Design Capacity:	6500kg
Maximum Operating Capacity:	7100kg (Subject to suitable tyres & certification)

OPTIONAL EQUIPMENT

Reverse Camera and navigation system

REAR AXLE

Description:	D12H with Interaxle diff lock
Type:	Single Reduction Hypoid
Design Capacity:	21600kg
Maximum Operating Capacity:	21600kg
Ratio:	4.222

STEERING

Type:	Integral Power Assisted ball & nut
Steering Wheel:	Urethane with air bag
Steering Column:	Tilt & Telescopic adjust

BRAKES

Type:	Full air taper roller drum brakes with auto adjust ABS & ASR Traction control
Size:	F 410 x 150mm R 410 x 200mm
Park Brake:	Spring on both rear axles
Engine Brake:	4 stage Powertard with Exhaust Brake and Shift Down
Retardation Power:	320ps @ 2300 rpm
Compressor:	636cc with air dryer
Air Tanks:	Alloy

FRONT SUSPENSION

Type:	Long Taper Leaf
Size:	1500 x 90 x 23mm - 3
Capacity at Ground:	7280kg
Shock Absorbers:	Double acting

REAR SUSPENSION

Type:	FUSO airbag with underslung arm
Size:	250mm diameter bags Trailing leaf 995 x 80 x 35mm - 2
Capacity at Ground:	22000kg
Shock Absorbers:	Double acting front & rear

CHASSIS

Type:	Super Frame parallel channel with tapered rear overhang
Size:	300 x 90 x 7mm
Width:	840mm
Tensile Strength:	540MPa

WHEELS & TYRES

Wheel Type:	Alcoa Forged Alloy
Wheel Size:	8.25 x 22.5 - 165-23T
Wheel Stud Pattern:	10 Stud ISO
Tyre Size:	275/70R22.5
Spare Tyre:	No

KERB WEIGHT (KG-ESTIMATED)

Front:	4410
Rear:	3200
Total:	7600

Includes coolant, oils and 20 litres fuel

DIMENSIONS (MM)

Wheel Base:	3860
Overall Length:	6690
Cab to Axle:	3160
Rear Overhang:	1460
Overall Height:	3610
Overall Width:	2490

MULTI FUNCTION DISPLAY

- Calendar/Time
- Service Reminders
- Snow Mode - Low speed manoeuvring
- Fuel Consumption Indication
- Trouble Code Indication
- Gear Position Indicator
- Odo and Dual trip meter
- Engine Oil level check
- Warning/indicator display
- AdBlue level indicator
- Hour Meter
- Maintenance Indicator

CAB FEATURES

Construction:	All Steel Forward Control with high roof
Type:	Electric/Hydraulic 50 deg cab tilt
Mounting:	4 Point air suspension
Colour:	Natural White (W31)

Safety features:	90 degree opening doors with side intrusion bars
Lighting:	Halogen headlamps with Fog lights in bumper
Interior	Fully trimmed with rear mattress
Windscreen:	Laminated & tinted
Windscreen Wipers:	3 windscreen wipers with built in nozzles: 2 speed & intermittent
Rear Vision Mirrors:	Remote control & heated flat main mirror with heated convex spotters
Seating Capacity:	2
Seats: Driver:	ISRI air suspension with auto levelling, height, tilt and dampening adjustment
	Integral headrest & fabric trim
Passenger:	Fixed base, 18stagerecting, headrest & fabric trim
Seat belts:	Pretensioner, El Rattached 3 pointstye, center lap belt

INSTRUMENTS

Gauges:

- Speedo with Odometer and Dual Trip Meter
- Tachometer
- Fuel Level
- Dual air pressure gauge
- Water temperature meter

Warning Lamps:

- Park Brake
- Exhaust Brake/powerard
- Engine Pre-heat
- Alternator
- Low Oil Pressure/Oil Filter Blockage
- SRS Air Bag
- Immobilizer
- Seat Belt
- AdBlue level
- AMT Oil Temp
- Engine check light
- Interaxle diff lock
- Brake air pressure
- Cold start indicator
- Door Open
- Low coolant level

- Cab tilt indicator
- Air filter restriction
- Cruise Control

CAB EQUIPMENT

Exterior:

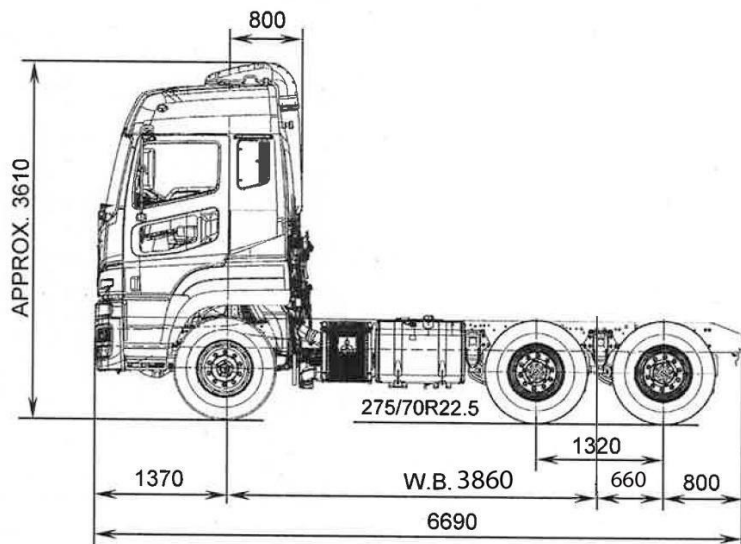
- Lift-up front maintenance panel
- Transom window on LH door
- 1 piece door pressing with 90 deg opening
- Roof spoiler mounting points (max weight 50kg)
- Roof mounted white marker lights x2

Interior:

- Fully trimmed
- Centre-Rear-Side Curtains
- Driver's air bag and seat belt pretensioner
- Centre floor console with glove box
- Cup holder for driver
- Large overhead console boxes
- Tray under passenger seat
- Sun visors x 2
- Interior rear view mirror
- Opening rear quarter windows
- Grab handle on 'A' pillar
- Auto air conditioning with heater/demister
- Central locking and Keyless Entry System
- Power windows and Drivers auto up/down
- 6" Touch screen audio with Bluetooth, USB and DVD player with 2nd screen output.
- Engine idle speed control
- Cruise control
- Cold start switch
- Trailer brake hand control
- Hazard warning switch
- Reading lamps
- Tool kit & jack
- Electric Horn
- Fluorescent Cab Lamp

FUSO HEAVY

6X4



10.5 Chassis cab drawings

FV54SJR5VFAB

FV470J1

