

CANTER EURO 3.0T



GVM	GCM	POWER	W/BASE	CODE
5995kg	9000kg	157ps	3400mm	FEB51ER4SFAC
5995kg	9000kg	157ps	3850mm	FEB51GR4SFAC

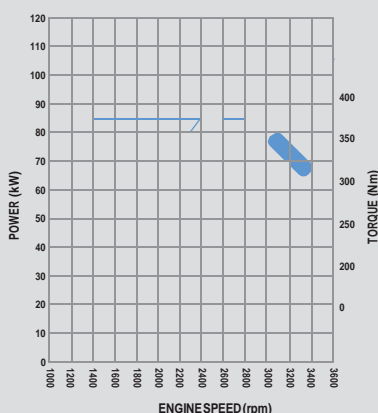
PERFORMANCE

Maximum Speed: 135 Km/h
 Gradeability at Rated GVM: 35% at 6000Kg
 Gradeability at Rated GCM: TBA
 Turning Circle (kerb to kerb): E1=11.6mtrs
 G1=13mtrs

ENGINE

Mitsubishi 4P10-7AT4 (Euro V)
 Description: 4 Cylinder
 Configuration: Inline - DOHC 4 Valve
 Type: Variable Geometry Turbo Charged with Air to Air Intercooler
 Displacement: 2,998cc
 Bore x Stroke: 95.8x104 mm
 Power (DIN nett): 110kw @ 2840 to 3500 rpm
 Torque (DIN nett): 370Nm @ 1350 to 2840 rpm
 Compression Ratio: 17.5:1
 Oil Cooler: Water Cooled

4P10-7AT4



FUEL

Pump: Bosch Common Rail
 Governor: Electronic
 Filtration: Main Filter with Water Separator
 Fuel Capacity: 100 Litre/Lockable
 Air Cleaner: Dry Paper Element/Vertical Intake

EMISSION SYSTEMS

Emission Standard: Euro V + Enhanced Environmentally Friendly Vehicle (EEV)

Diesel Particulate Filter (DPF) Exhaust
 DPF Status on dash display

COOLING

Fan: 460mm Diameter with 9 Blades
 Fan Drive: Viscous Coupling
 Radiator: Corrugated Fin with expansion tank

ELECTRICAL

Voltage: 12 volt
 Alternator Capacity: 110 amp
 Battery Capacity: 1 x 12V90AH
 Headlamp: Halogen 55/60W
 Foglamp: Front Bumper

CLUTCH

Description: Hydraulic control, single dry plate Model: C4W30 - Woven-300mm diameter

TRANSMISSION

Description: Mitsubishi M038S5 All Synchro
 No. of Speeds: 5
 Ratios: - 1st: 5.494
 - 2nd: 3.193
 - 3rd: 1.689
 - 4th: 1.000
 - 5th: 0.723
 - Rev: 5.494
 PTO Opening: LH side

PROPELLER SHAFT

Type: P3
 Universal Joint: Needle Roller

FRONT AXLE

Type: Mitsubishi Reverse Elliot "I" Beam
 Design Capacity: 2600kg
 Maximum Operating Capacity: 2570kg

REAR AXLE

Description: Mitsubishi D033H
 Type: Full floating Hypoid
 Design Capacity: 4500kg
 Maximum Operating Capacity: 4500kg
 Ratio: 4.875

STEERING

Type: Integral Power Assisted Ball
 Steering Wheel: Urethane with Air Bag
 Steering Column: Tilt/ Telescopic Adjustment

BRAKES

Type: Hydraulic Dual Circuit with ABS/EBD. Dual Caliper Ventilated Disc Front and Rear
 Brake Override safety system
 Size: F 235 x 40mm
 R 235 x 40mm
 Park Brake: Transmission Mounted
 Auxiliary: Exhaust Brake

FRONT SUSPENSION

Type: Semi-Elliptic Leaf Springs with Shock Absorbers & Stabilizer
 Size: 1150 x 70 x 10 - 5 leaf
 Capacity at Ground: TBA

REAR SUSPENSION

Type: Semi-Elliptic Leaf Springs with Shock Absorbers & Stabilizer
 Size: 1250 x 70 x 11 - 2 leaf
 12 - 2
 25 - 1
 Auxiliary: No
 Capacity at Ground: TBA

CHASSIS

Type: Reinforced Tapered Channel
 Size: 192 x 60 x 6mm
 Width: 752
 Tensile Strength: 440 MPA

WHEELS & TYRES

Wheel Type: Single piece tubeless rims
 Wheel Size: 16"
 Wheel Stud Pattern: TBA
 Tyre Size: 205/85R16
 Spare & Tyre Carrier: Yes



WIDE CAB

KERB WEIGHT (kg - estimated)

	E1	G1
Front:	1550	1550
Rear:	695	715
Total:	2245	2265

Includes coolant, oils and 20 litres fuel.

DIMENSIONS (mm)

	E1	G1
Wheel Base:	3400	3850
Overall Length:	5935	6685
Cab to Rear Axle:	2825	3275
Rear Overhang:	1395	1695
Overall Height:	2185	2185
Overall Width:	1995	1995
Track Front	1670	1670
Track Rear	1495	1495

CAB FEATURES

All Steel Forward Control. ECER29 Safety Cab

Type:	Manual Tilt 45 Degrees
Mounting:	Hydroelastic 4 point
Colour:	White W31
Interior:	Fully Trimmed
Windscreen:	Laminated and Tinted
Windscreen Wipers:	2 Speed-Intermittent with Integrated Washer Nozzles
Rear Vision Mirrors:	1 Internal 2x External Convex-Heated
Seating Capacity:	3
Seat Belts:	Driver - Height adjustable : 3 point ELR with tension reducer Passenger - ELR 3 point : 2 Point centre
Driver Seat:	Suspension base, fabric trim with built in headrest, lumbar support and armrest
Passenger Seat:	Flat folding 2 passenger bench type with lefthand headrest and fabric trim

INSTRUMENTS

Gauges:

- Speedo with Odometer and Dual Trip Meter
- Tachometer
- Fuel Level

Warning Lights:

- High Beam
- Turn signal/Hazard warning
- Park Brake
- Exhaust Brake
- Engine Pre-Heat
- Alternator
- Low Oil Pressure
- SRS Airbag
- Brake Pad Wear
- Immobilizer
- ABS checklight
- Engine check light
- DPF

SWITCHES

- Fog Lamps
- Florescent Cab Lamp
- Heated Exterior Mirrors
- DPF Regeneration switch
- Hazard Lights



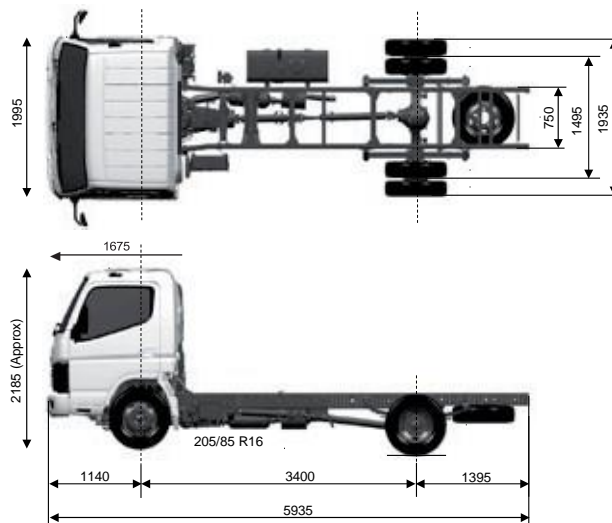
CAB EQUIPMENT

- Drivers air bag
- Electric Windows with one touch drivers
- Keyless Central Locking
- Door side impact beams
- Tinted side and rear glass
- Heater-Demister/Air-conditioning
- Interior sunvisors LH/RH
- AM/FM CD radio with 2 speakers
- Fluorescent Cabin Lamp
- Interior Dome Lamp with Delay Function
- Front Step lamps
- Cab Front Outline Marker Lights
- Cigar Lighter
- Electric Horn
- Reverse Warning Buzzer
- Tool Kit
- Overhead Parcel Shelves LH/RH
- Lower Dash Document Holder
- Lockable Glovebox.

MULTI FUNCTION DISPLAY

- Calendar/Time
- Meter and Gauge Illumination
- Service Reminders
- DPF Level indication
- Fuel Consumption Indication
- Diagnostic Trouble Code Indication
- Coolant Temperature Gauge
- Odo and Dual trip meter

CANTER EURO 3.0t



Dimensions shown refer to (model) E1 for G1 see Dimensions chart above.