

CANTER 616E

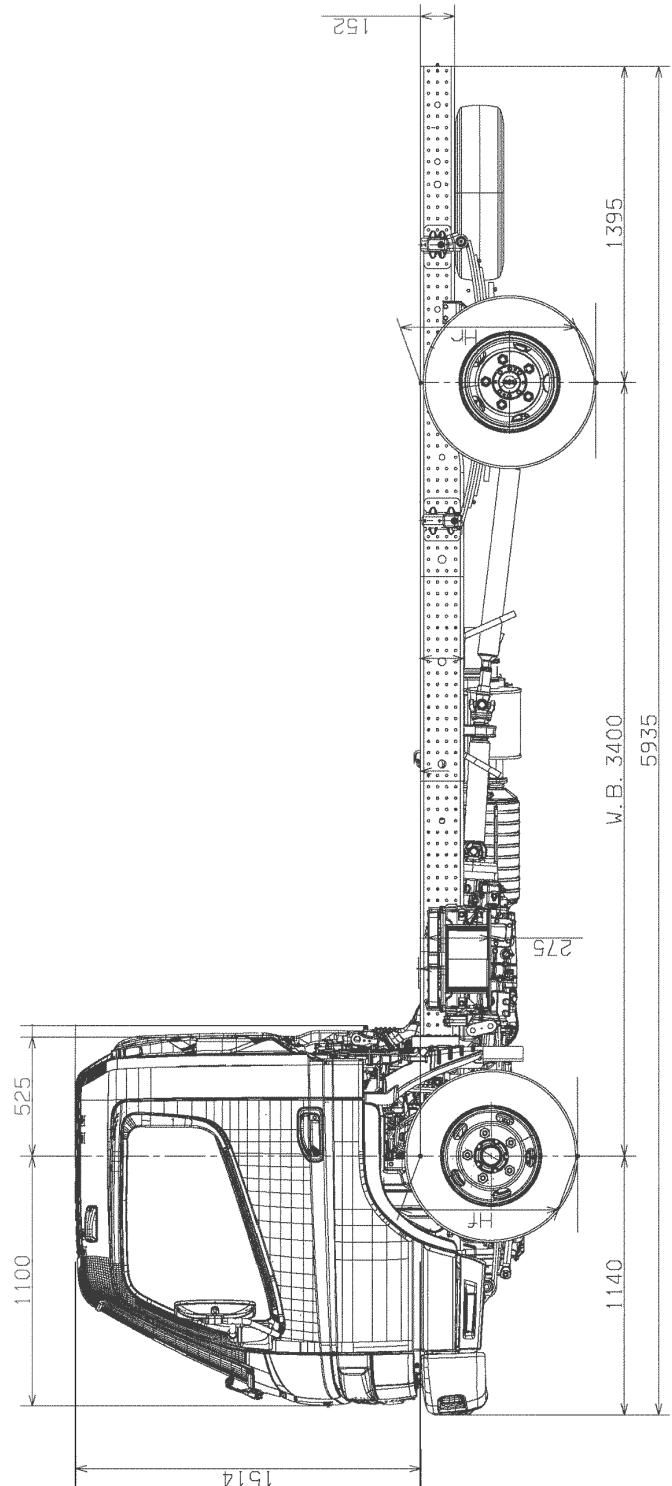
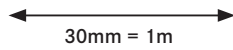


WIDE CAB
DUONIC | 4x2

FEB51ER3SFBG

BODYBUILDER PROFILE

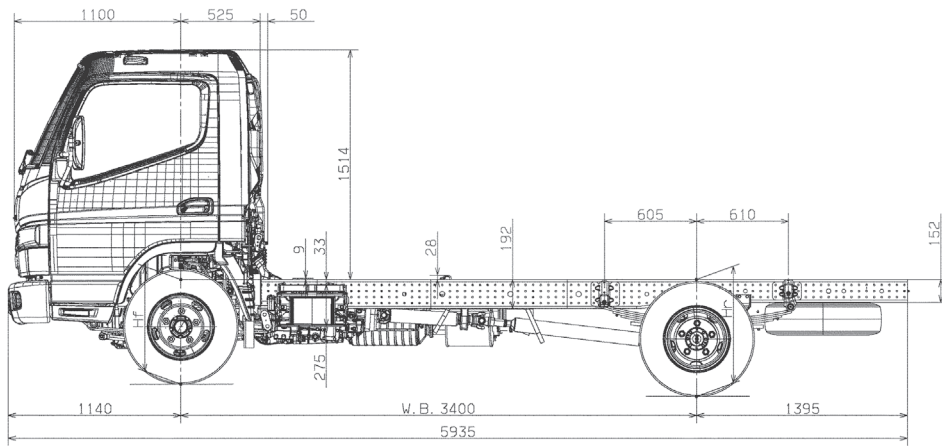
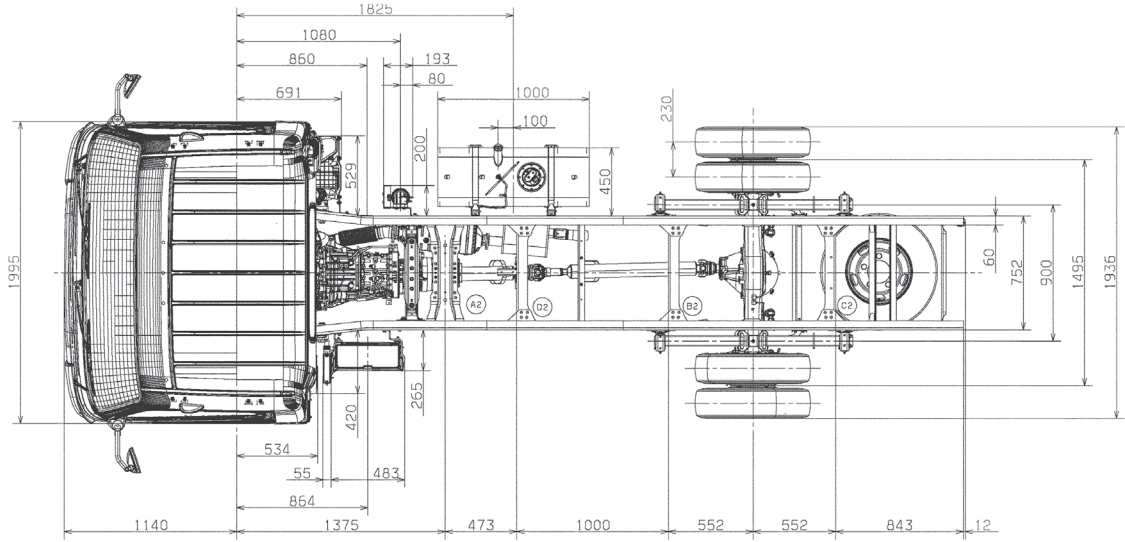
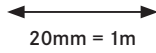
PLEASE NOTE: PRINT AT 100% SIZE FOR SCALE



FEB51ER3SFBG

TECHNICAL DRAWINGS

PLEASE NOTE: PRINT AT 100% SIZE FOR SCALE



CANTER 616E

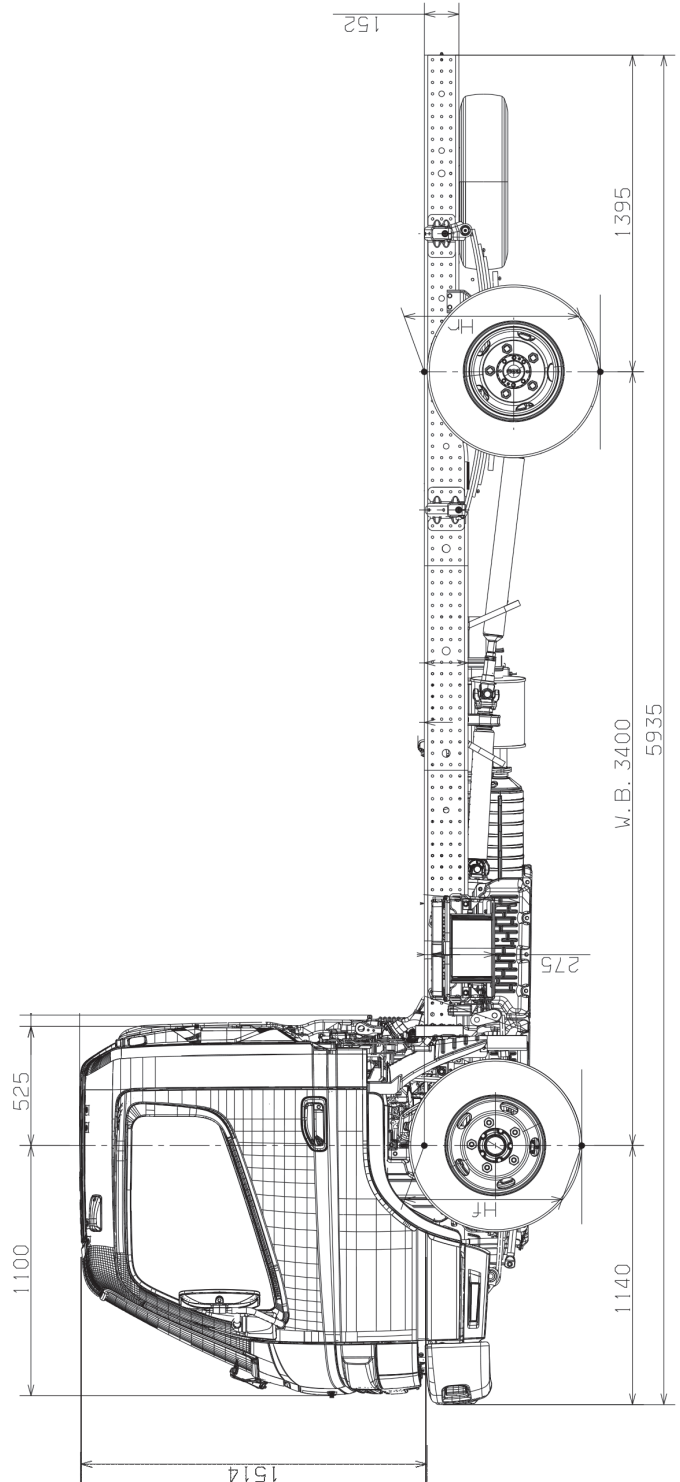
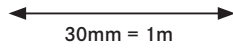


WIDE CAB
MANUAL | 4x2

FEB51ER4SFBG

BODYBUILDER PROFILE

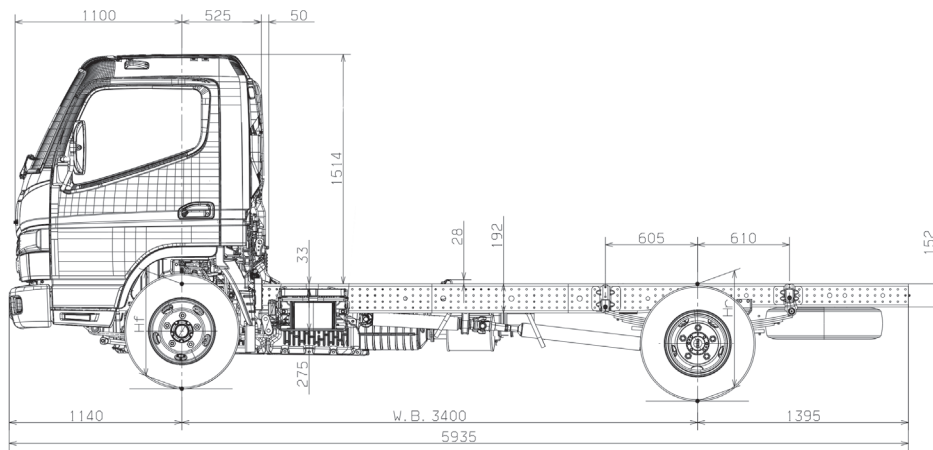
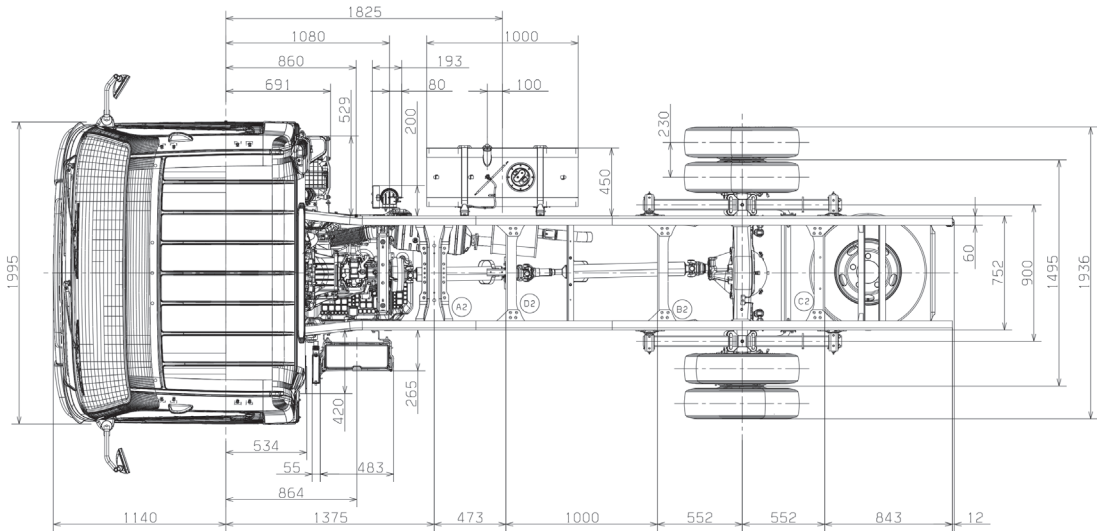
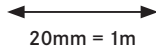
PLEASE NOTE: PRINT AT 100% SIZE FOR SCALE



FEB51ER4SFBG

TECHNICAL DRAWINGS

PLEASE NOTE: PRINT AT 100% SIZE FOR SCALE



CANTER 616G

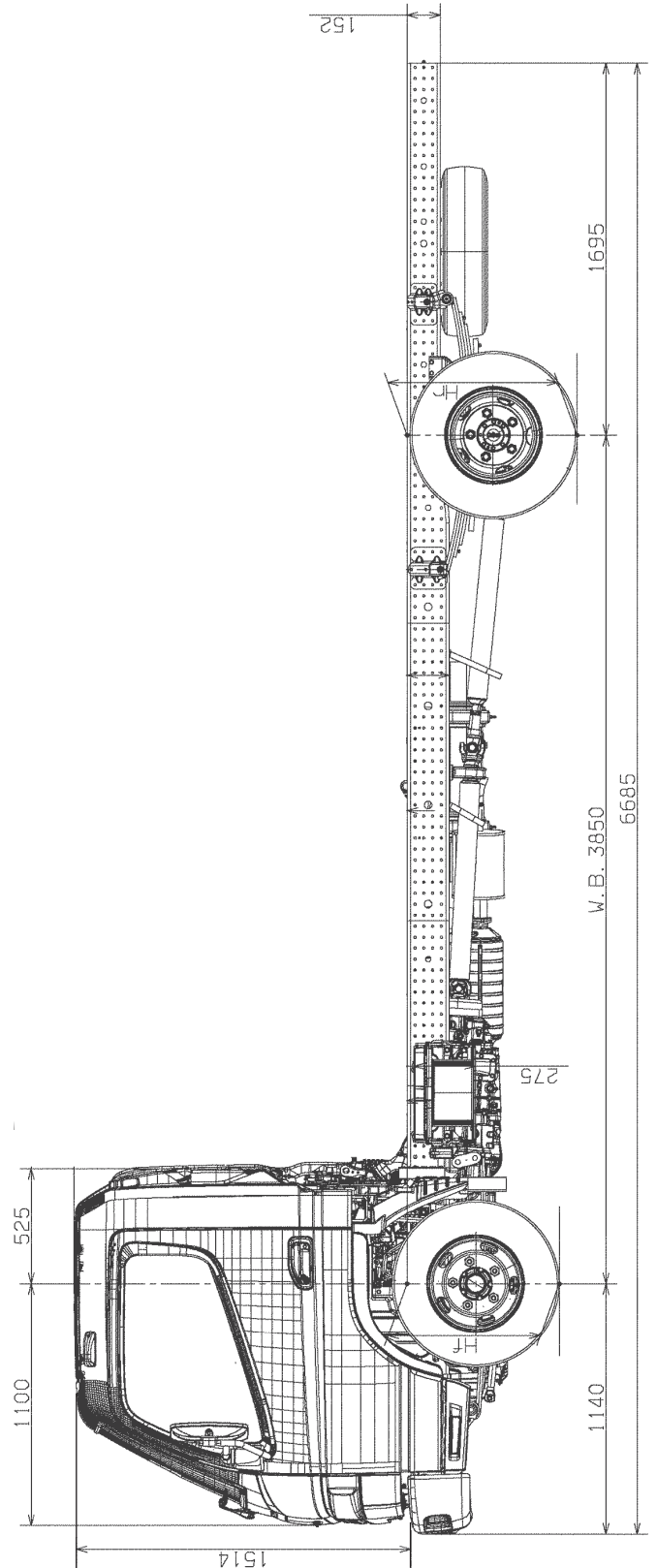
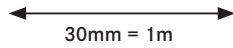


WIDE CAB
DUONIC | 4x2

FEB51GR3SFBG

BODYBUILDER PROFILE

PLEASE NOTE: PRINT AT 100% SIZE FOR SCALE



FEB51GR3SFBG

TECHNICAL DRAWINGS

PLEASE NOTE: PRINT AT 100% SIZE FOR SCALE

↔
20mm = 1m

