

# CANTER 616B

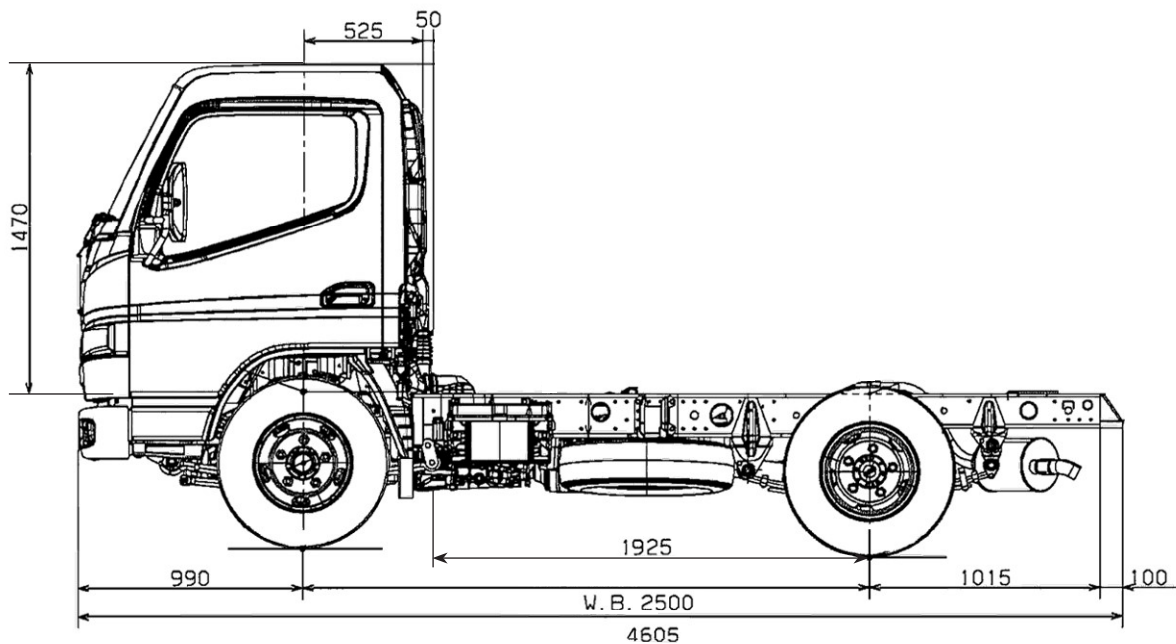
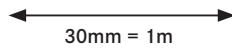


**CITY CAB**  
**DUONIC | 4x2**

## FEA61BR3SFBG

### BODYBUILDER PROFILE

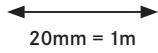
PLEASE NOTE: PRINT AT 100% SIZE FOR SCALE



# FEA61BR3SFBG

## TECHNICAL DRAWINGS

**PLEASE NOTE:** PRINT AT 100% SIZE FOR SCALE



**COMING SOON**

# CANTER 616B

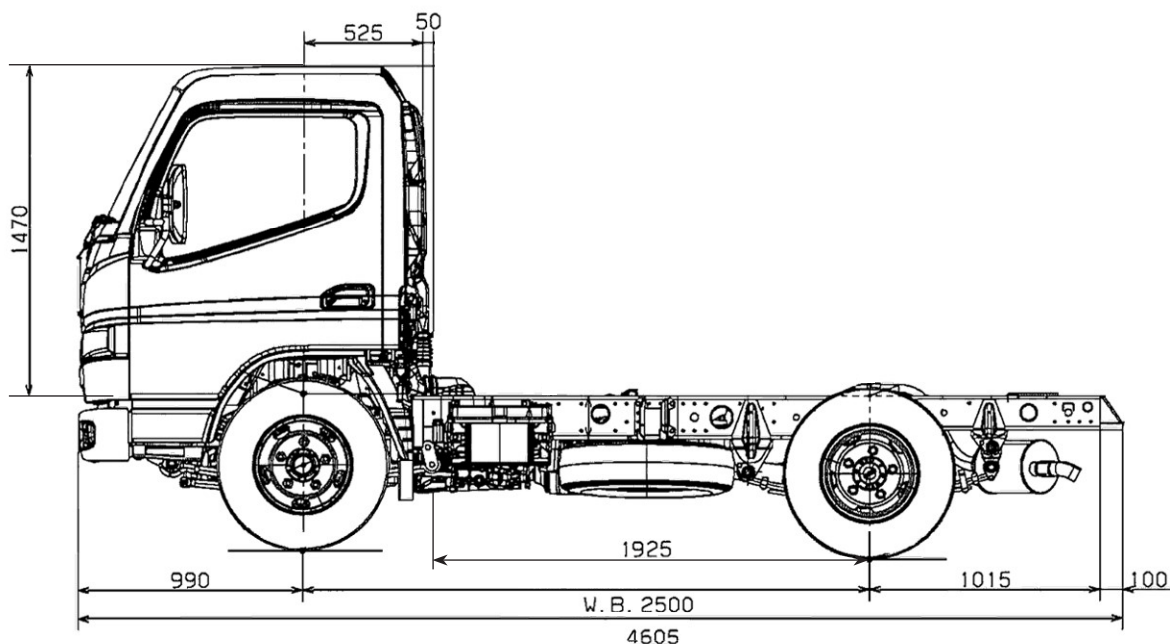
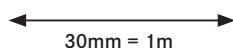


**CITY CAB**  
**MANUAL | 4x2**

## FEA61BR4SFBG

### BODYBUILDER PROFILE

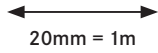
PLEASE NOTE: PRINT AT 100% SIZE FOR SCALE



# FEA61BR4SFBG

## TECHNICAL DRAWINGS

**PLEASE NOTE:** PRINT AT 100% SIZE FOR SCALE



**COMING SOON**