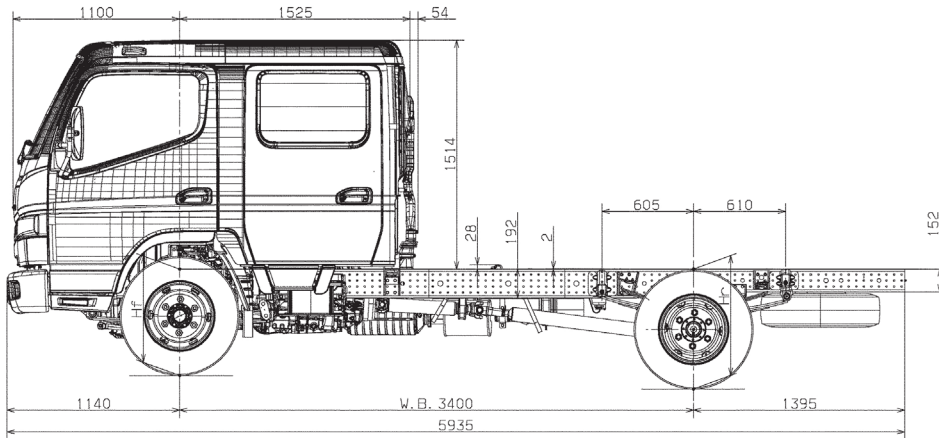
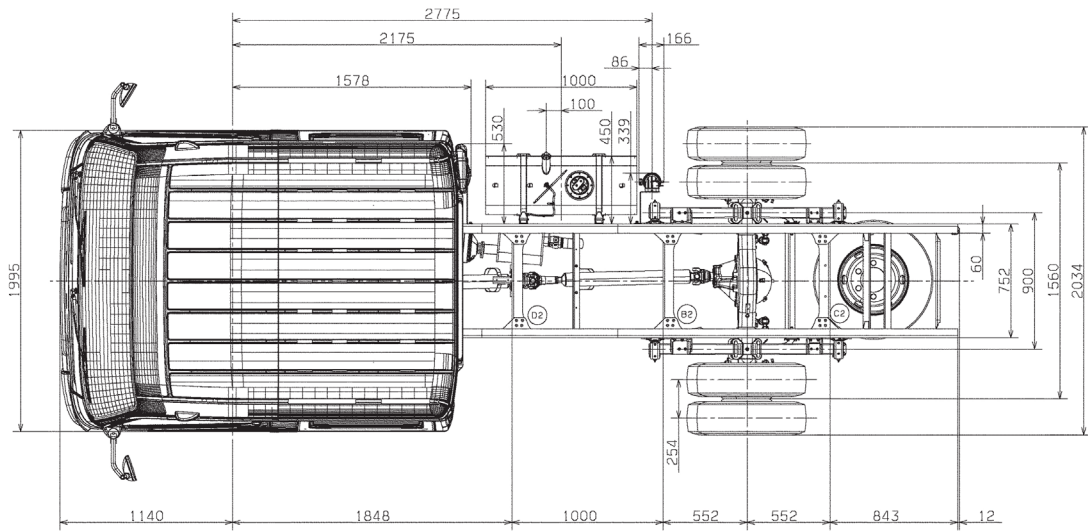
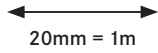


FEB71ER3WFBG

TECHNICAL DRAWINGS

PLEASE NOTE: PRINT AT 100% SIZE FOR SCALE



CANTER B16G

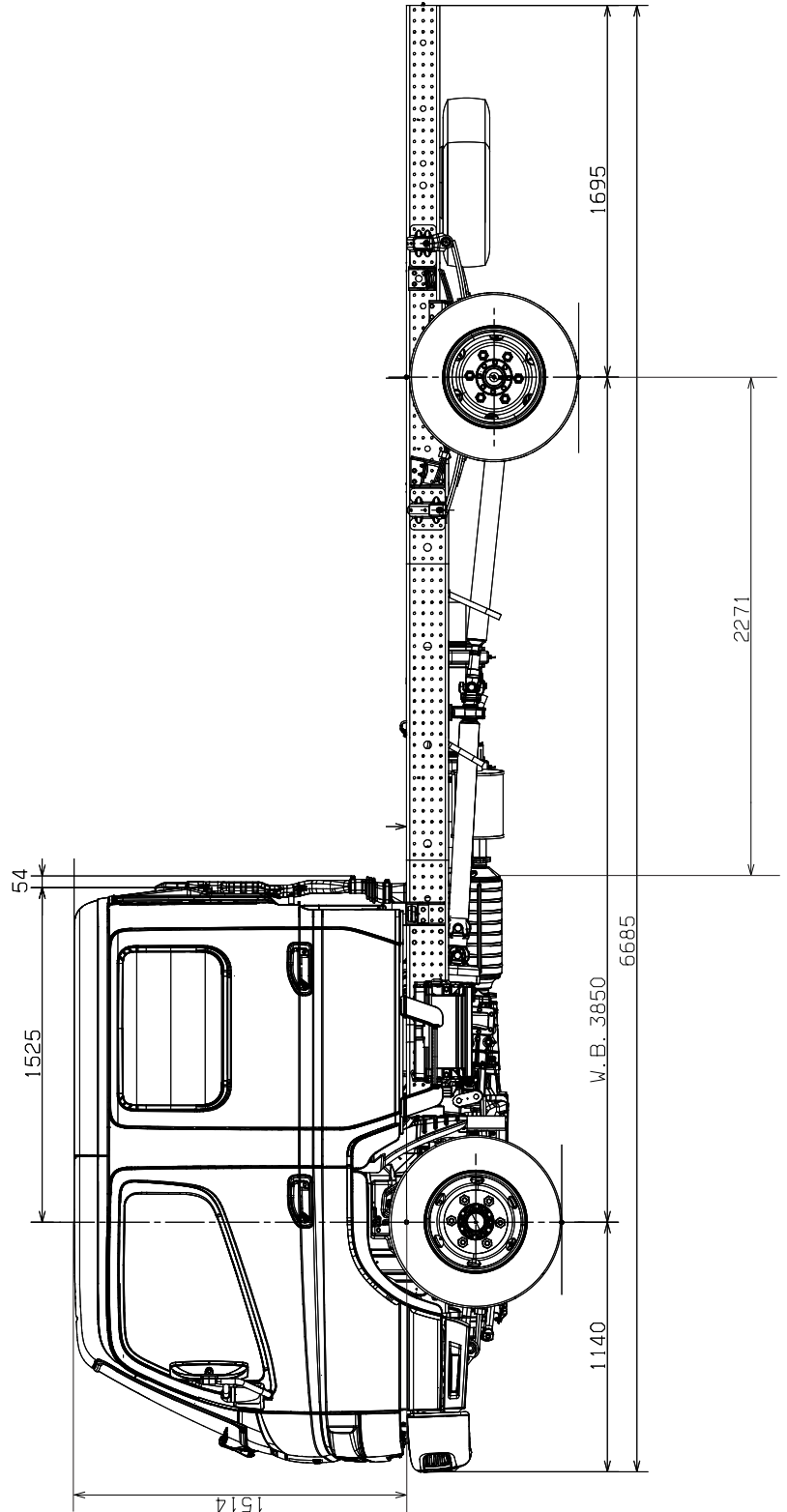
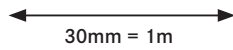


CREW CAB
DUONIC | 4x2

FEB71GR3WFBG

BODYBUILDER PROFILE

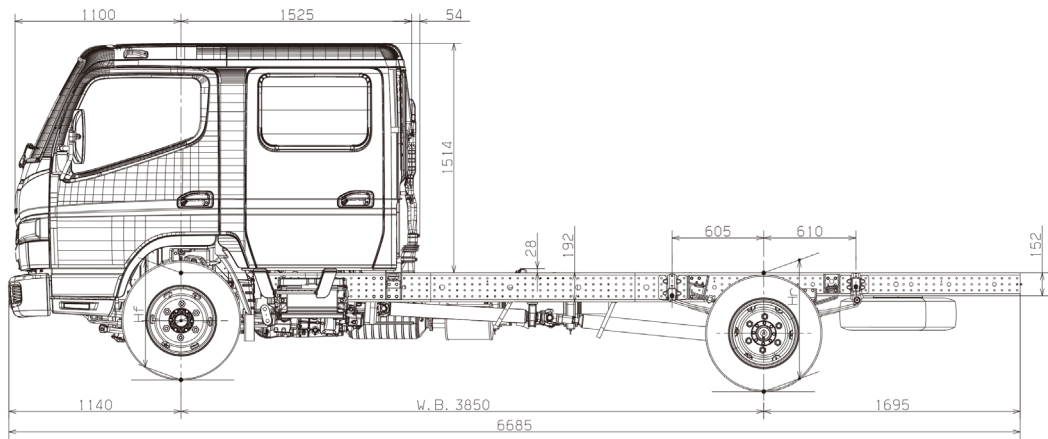
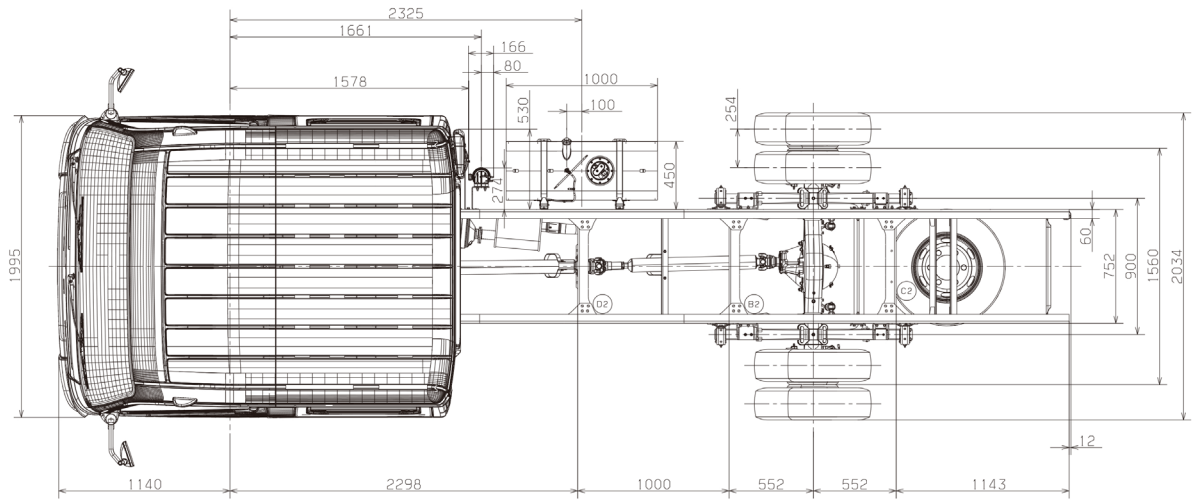
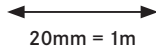
PLEASE NOTE: PRINT AT 100% SIZE FOR SCALE



FEB71GR3WFBG

TECHNICAL DRAWINGS

PLEASE NOTE: PRINT AT 100% SIZE FOR SCALE



CANTER B16G

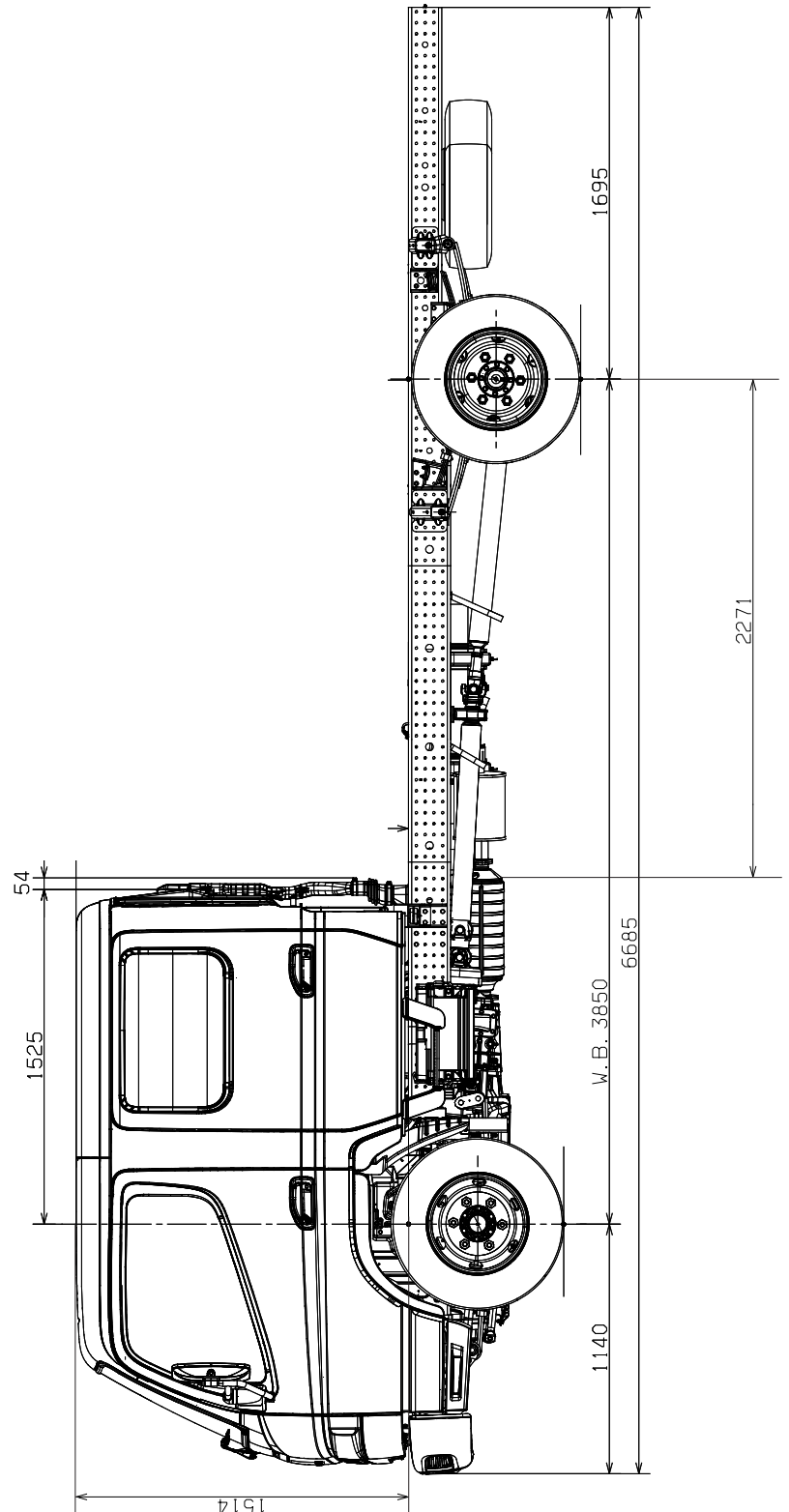
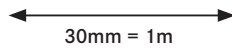


CREW CAB
MANUAL | 4x2

FEB71GR4WFBG

BODYBUILDER PROFILE

PLEASE NOTE: PRINT AT 100% SIZE FOR SCALE



FEB71GR4WFBG

TECHNICAL DRAWINGS

PLEASE NOTE: PRINT AT 100% SIZE FOR SCALE

