

CANTER B16G

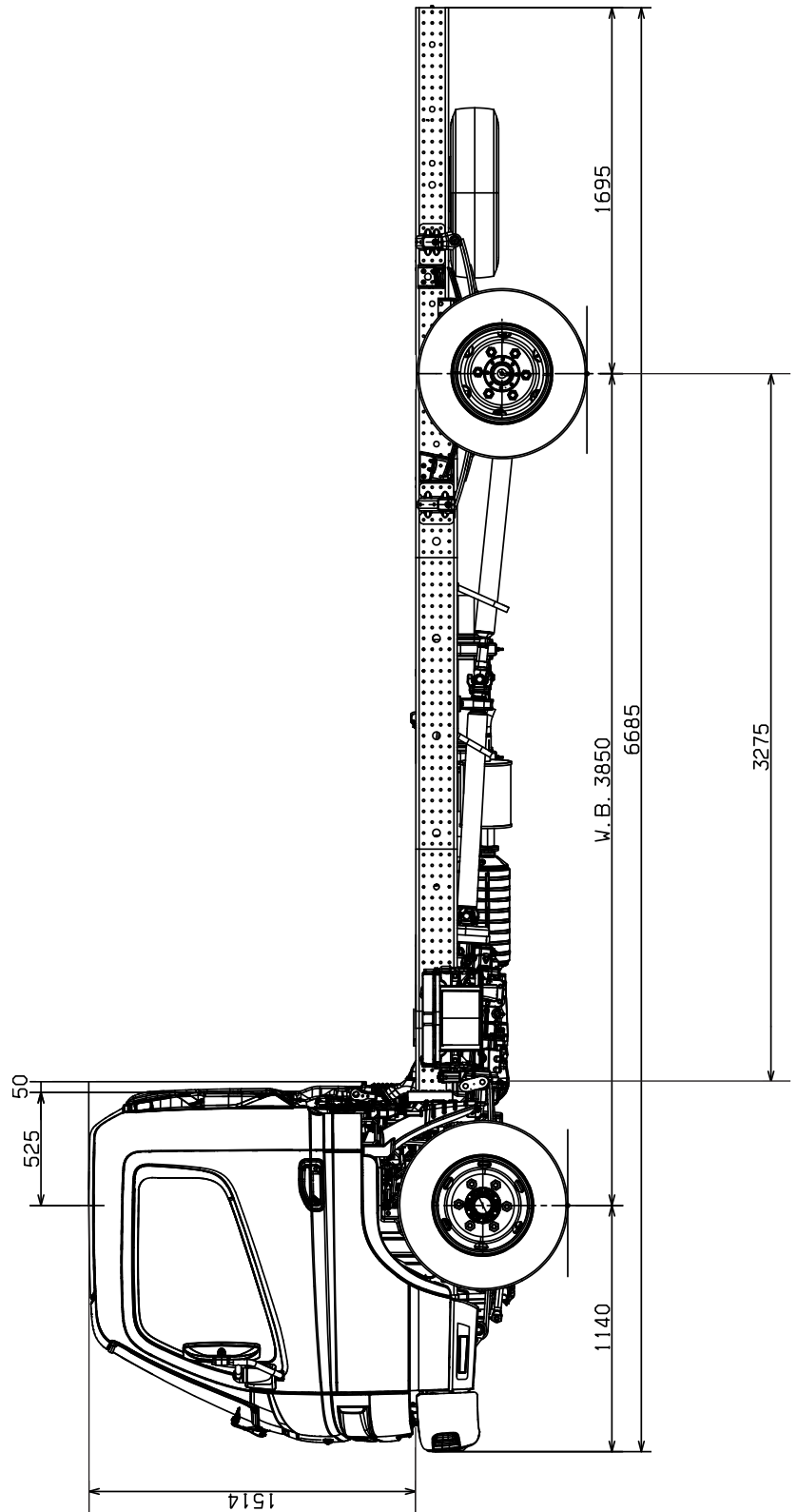
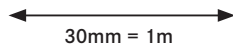


WIDE CAB
DUONIC | 4x2

FEB71GR3SFBG

BODYBUILDER PROFILE

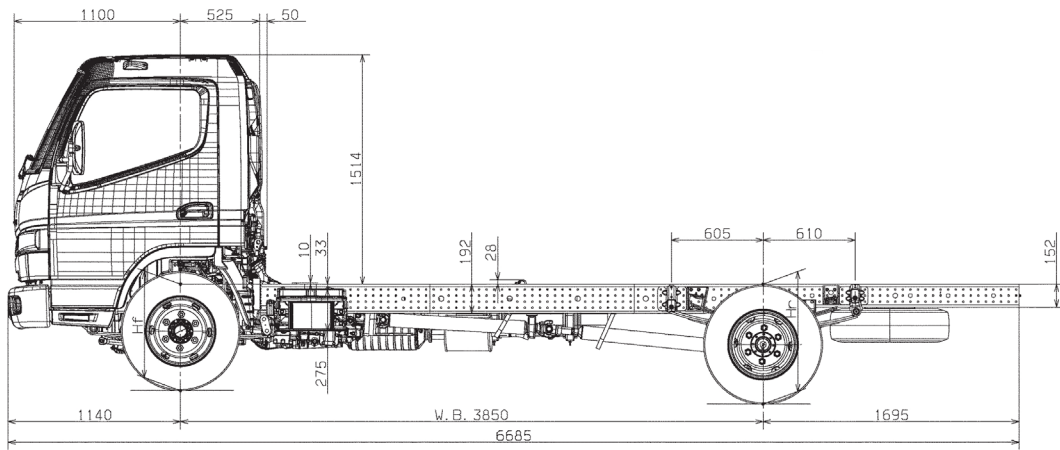
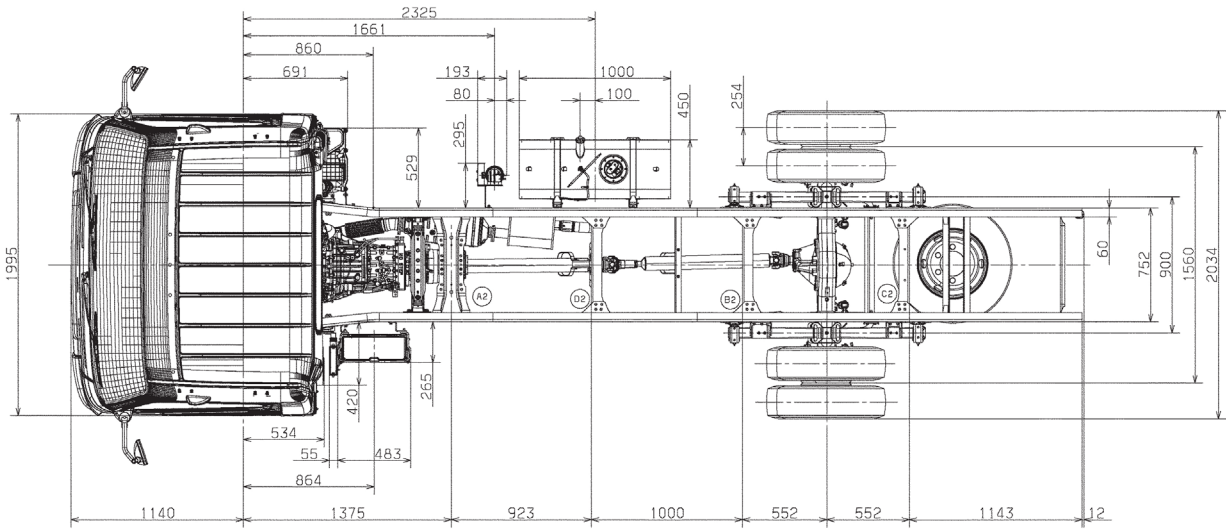
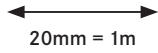
PLEASE NOTE: PRINT AT 100% SIZE FOR SCALE



FEB71GR3SFBG

TECHNICAL DRAWINGS

PLEASE NOTE: PRINT AT 100% SIZE FOR SCALE



CANTER B16G

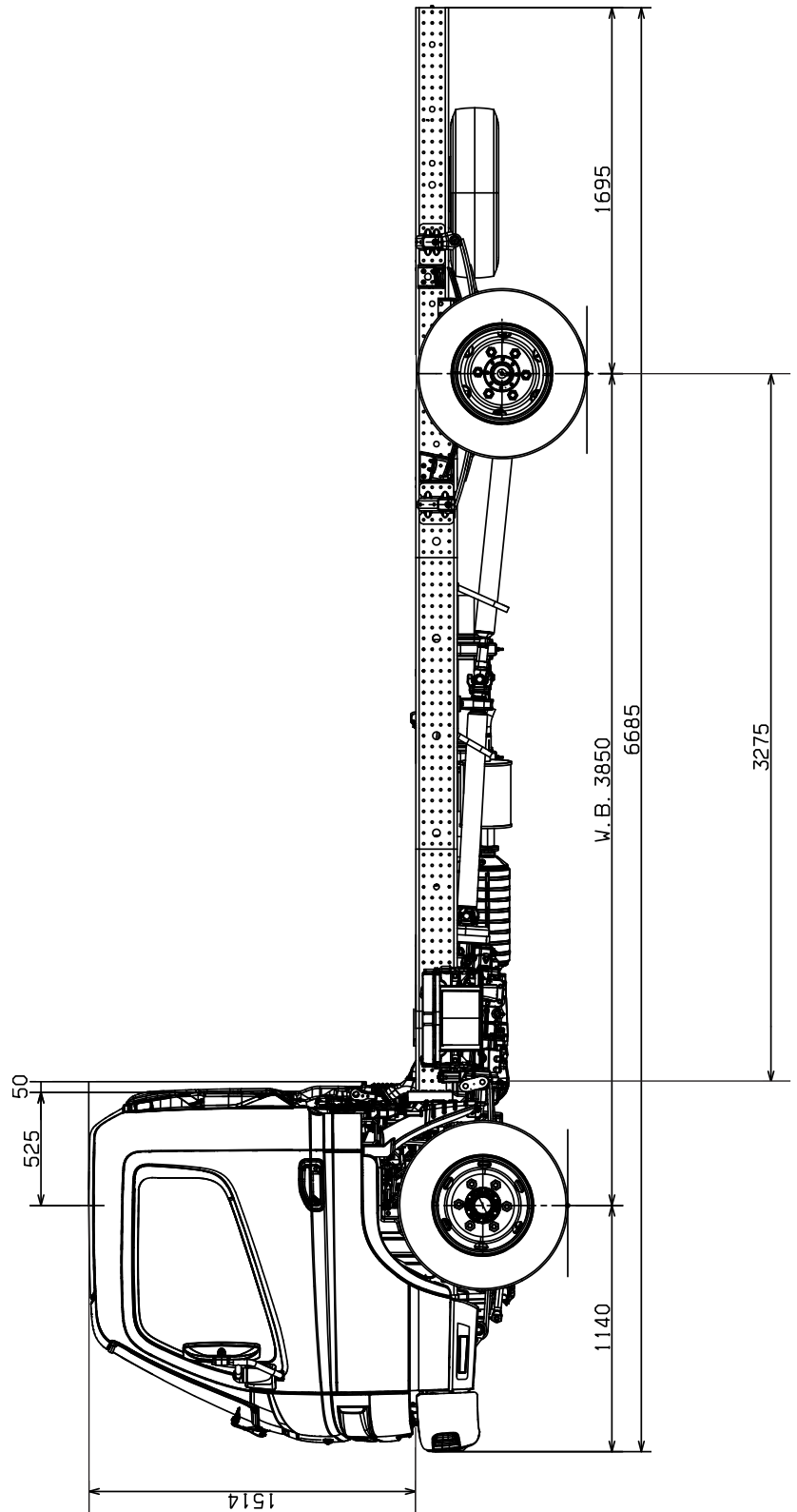
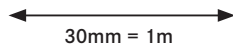


WIDE CAB
MANUAL | 4x2

FEB71GR4SFBG

BODYBUILDER PROFILE

PLEASE NOTE: PRINT AT 100% SIZE FOR SCALE



FEB71GR4SFBG

TECHNICAL DRAWINGS

PLEASE NOTE: PRINT AT 100% SIZE FOR SCALE

