

# CANTER 918G

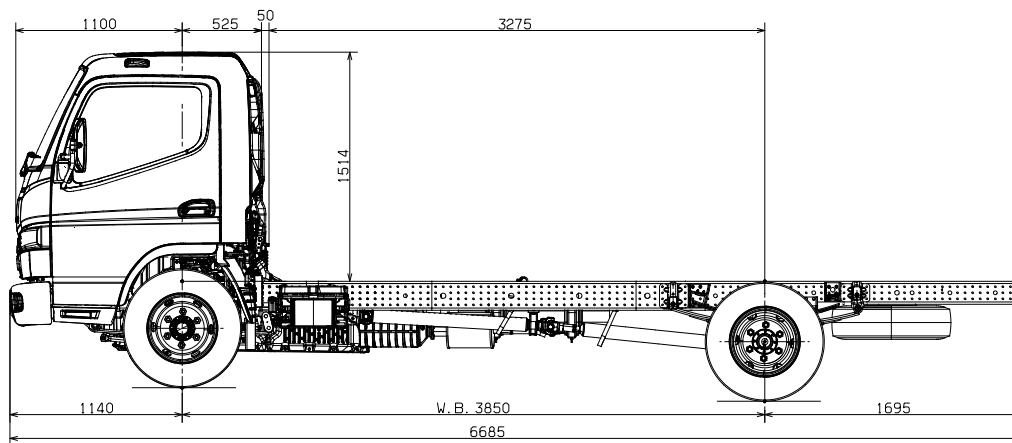
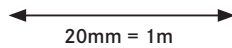


**LONG WHEELBASE**  
**DUONIC | 4x2**

## FECX1GR3SFBH

### BODYBUILDER PROFILE

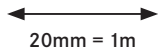
PLEASE NOTE: PRINT AT 100% SIZE FOR SCALE



# FECX1GR3SFBH

## TECHNICAL DRAWINGS

**PLEASE NOTE:** PRINT AT 100% SIZE FOR SCALE



**COMING SOON**

# CANTER 918G

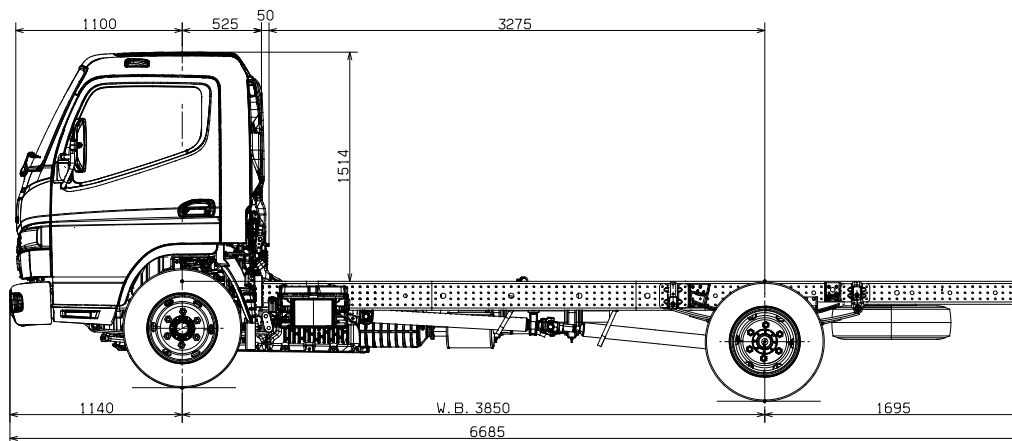
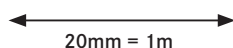


**LONG WHEELBASE  
MANUAL | 4x2**

## FECX1GR4SFBH

### BODYBUILDER PROFILE

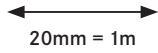
PLEASE NOTE: PRINT AT 100% SIZE FOR SCALE



# FECX1GR4SFBH

## TECHNICAL DRAWINGS

**PLEASE NOTE:** PRINT AT 100% SIZE FOR SCALE



**COMING SOON**

# CANTER 918H

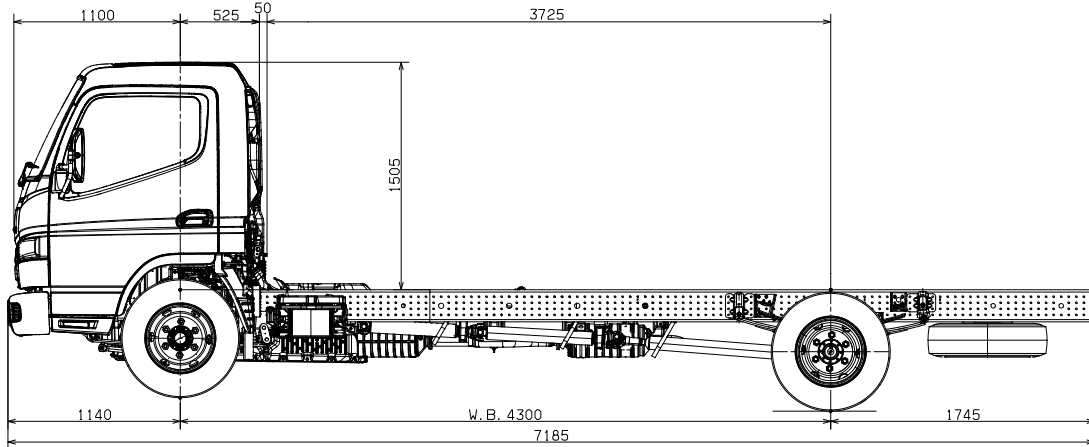
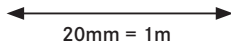


**LONG WHEELBASE**  
DUONIC | 4x2

## FECX1HR3SFBH

### BODYBUILDER PROFILE

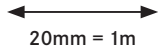
PLEASE NOTE: PRINT AT 100% SIZE FOR SCALE



# FECX1HR3SFBH

## TECHNICAL DRAWINGS

**PLEASE NOTE:** PRINT AT 100% SIZE FOR SCALE



**COMING SOON**

# CANTER 918H

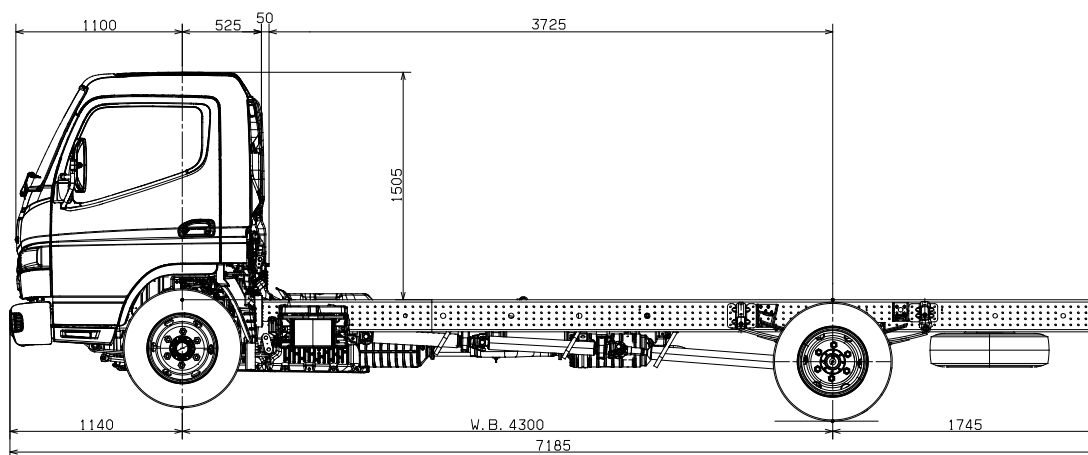
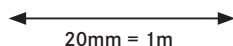


**LONG WHEELBASE**  
**MANUAL | 4x2**

## FECX1HR4SFBH

### BODYBUILDER PROFILE

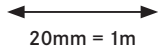
PLEASE NOTE: PRINT AT 100% SIZE FOR SCALE



# FECX1HR4SFBH

## TECHNICAL DRAWINGS

**PLEASE NOTE:** PRINT AT 100% SIZE FOR SCALE



**COMING SOON**