

CANTER 918G

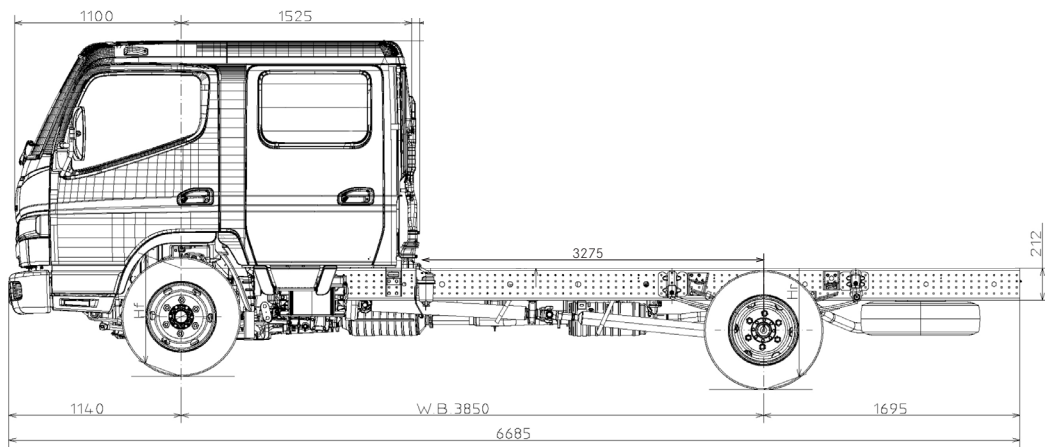
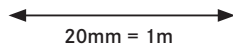


CREW CAB
DUONIC / MANUAL | 4x2

FECX1GR3WFBH / FECX1GR4WFBH

BODYBUILDER PROFILE

PLEASE NOTE: PRINT AT 100% SIZE FOR SCALE



TECHNICAL DRAWINGS

PLEASE NOTE: PRINT AT 100% SIZE FOR SCALE

↔
20mm = 1m

