

CANTER 918K

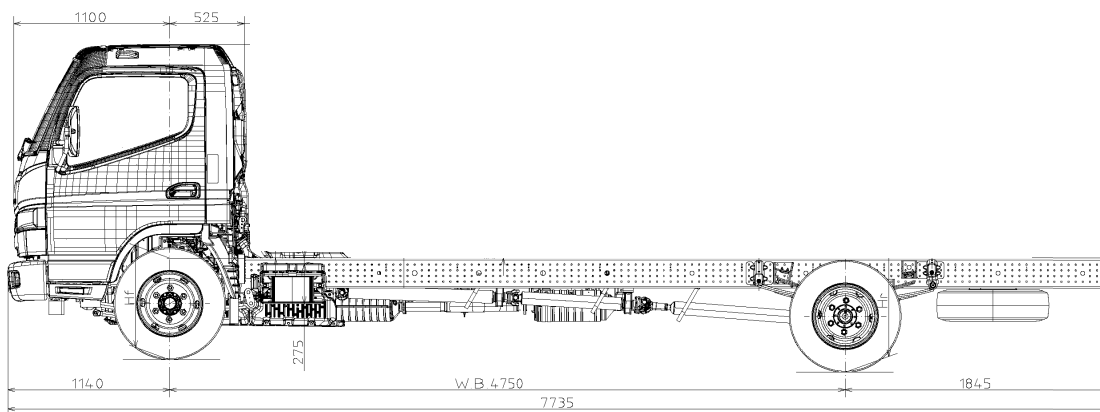
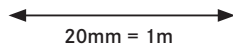


EXTRA LONG WHEELBASE
DUONIC | 4x2

FECX1KR3SFBH

BODYBUILDER PROFILE

PLEASE NOTE: PRINT AT 100% SIZE FOR SCALE

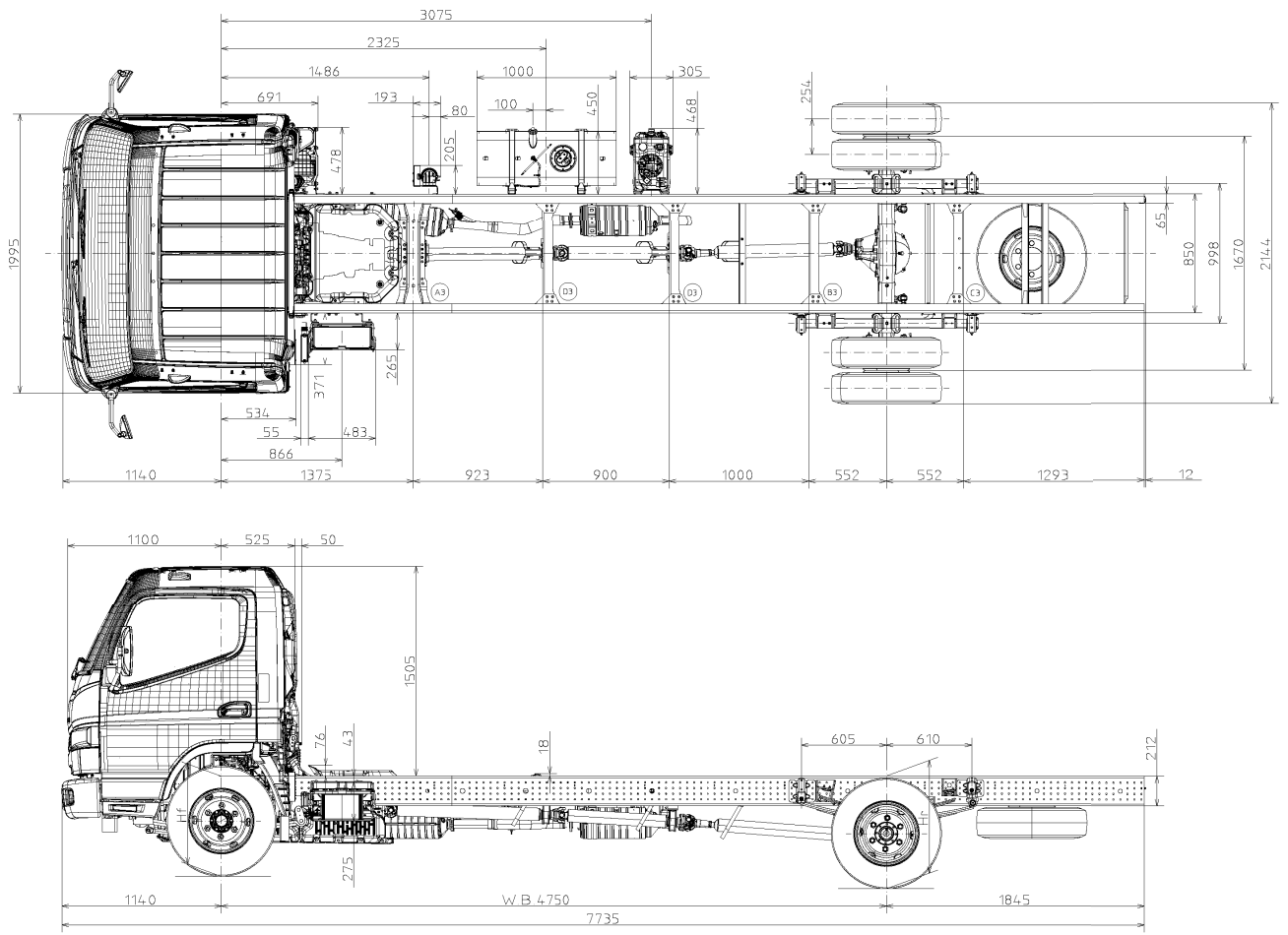


FECX1KR3SFBH

TECHNICAL DRAWINGS

PLEASE NOTE: PRINT AT 100% SIZE FOR SCALE

↔
20mm = 1m



CANTER 918K

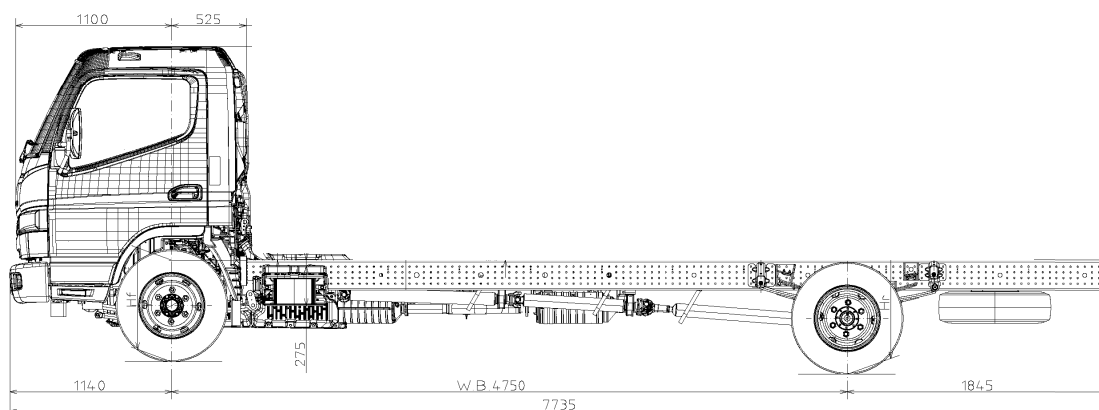
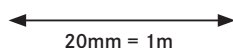


**EXTRA LONG WHEELBASE
MANUAL | 4x2**

FECX1KR4SFBH

BODYBUILDER PROFILE

PLEASE NOTE: PRINT AT 100% SIZE FOR SCALE



FECX1KR4SFBH

TECHNICAL DRAWINGS

PLEASE NOTE: PRINT AT 100% SIZE FOR SCALE

↔
20mm = 1m

