

LONG WHEELBASE

# FIGHTER FU2328

**EURO 6** • 6x2 • **MANUAL** OR **ALLISON AUTO**



**GVM:**  
23,200kg



**Power/Torque:**  
207kW / 802Nm



**Wheelbase:**  
6,530mm (U)

- **NEW** Euro 6 drivetrain
- **NEW** Advanced safety features
- 5yr / 300,000km Warranty (T&Cs inside)
- Rear air suspension
- 6.5T front axle

# SPECIFICATIONS - FIGHTER FU2328 LWB **EURO 6**

## MODEL

6x2 FU2328U	9 SP.	MAN	AIR SUSP.	FN63FU6RFAK
6x2 FU2328U	6 SP.	AUTO	AIR SUSP.	FN63FU6RFAK

## WHEELBASE (mm)

6,530 (U)
6,530 (U)

## GVM (kg)(optional)

23,200 (18,000)
23,200 (18,000)

## GCM (kg)

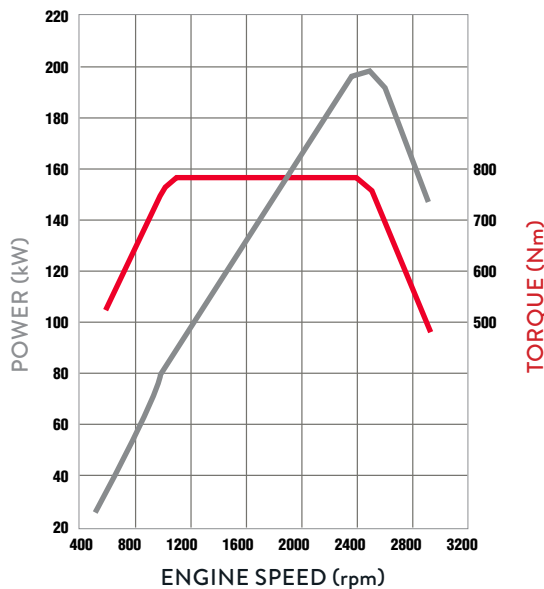
N/A
N/A

## ENGINE

Engine Version	FUSO 6M60-CAT6 Diesel
Configuration	6 Cyl. In-line OHC, 4-Valve
Type	Variable Geometry Turbo Charged Air to Air Intercooler
Displacement	7.5 litre (7545cc)
Power ECE Nett	199kW @ 2500rpm
Torque ECE Nett	785Nm @ 1100-2400rpm
Power (JIS Gross)*	207kW (281ps) @ 2500rpm
Torque (JIS Gross)*	802Nm (592lbft) @ 1100-2400rpm
Maximum Engine Speed (rpm)	2900
Compression Ratio	16.0:1
Cooling System / Oil Cooler	Watercooled with Electronically Controlled Viscous Fan, 23L capacity. Engine oil cooler
Air Cleaner	Paper Element Type with Restrictor Indicator. Vertical Intake Mounted on Clean Air Side (RH)
Cold Start Preheat	Standard
Emission Control	Selective Catalytic Reduction (SCR + DPF) After-Treatment System (BlueTec), Positive Crankcase Ventilation (PCV)
Emission Level	EURO 6

\*Calculated

## 6M60-CAT6



## FUEL

Injection System	DENSO Common Rail System Electronically Controlled Direct Injection
Fuel Tank	Rectangular Alloy Tank with Locking Cap
Fuel Capacity (L)	400
AdBlue Exhaust Fluid Capacity (L)	49

## ELECTRICAL

Voltage	24V Negative Earth
Alternator Capacity	24V-80 amp

## ELECTRICAL (continued)

Battery Specification	Heavy Duty 2 x 12V, 100Ah / 20hr
-----------------------	----------------------------------

## CLUTCH

	<b>Manual</b>
Clutch Model	FUSO C7M38
Type	Single Plate Cerametallic 380mm
Operation / Specification	Air Assisted Hydraulic

## TRANSMISSION

Version	Eaton Manual ES-11109 (Fuso Code M060S9)	Allison Automatic MD3500 (M100A6)
Type / Speeds	9 Speed	6 Speed
Features	Synchromesh 1L-4H	Generation 6 Control Systems
Ratios	Low Range Low: 12.64 1st: 8.81 2nd: 6.55 3rd: 4.77 4th: 3.55	High Range 1st: 2.48 2nd: 1.85 3rd: 1.34 4th: 1.00 Rev: 13.21
Torque Converter / Stall Torque Ratio	N/A	TC415 / 2.35
Auto Transmission Fluid Cooling	N/A	2 Chassis Mounted Coolers (LH and RH Side)
PTO Opening	LH Side and Rear	4 o'clock and 8 o'clock

## PROPELLER SHAFT

Type	P10
Universal Joint	Needle Roller

## FRONT AXLE

Axle	FUSO F650T "I" Beam
Design Capacity (kg)	6,500
Max Operating Capacity (kg)	6,500

## FRONT SUSPENSION

Type	Taper Leaf with Double Acting Shock Absorbers
Size (mm)	1,400 x 80

## REAR AXLE

	9 Speed	Auto
Drive Axle / Tag Axle	FUSO D10H Full Floating Hypoid / R10 Tag Axle	FUSO D10H Full Floating Hypoid / R10 Tag Axle
Design Capacity (kg)	10,800 / 8,500	10,800 / 8,500
Max Combined Operating Capacity (kg)	17,200	17,200
Ratio	4.222:1	5.857:1

## REAR SUSPENSION

Type	<b>Air Suspension</b>
Details	Trailing Arm with Air Dump Control and Double Acting Shock Absorbers & CLCS, Air Spring - 2 x 250mm dia. per axle
	CLCS: Chassis Level Control System, Electronic height control of air suspension via steering wheel, 2 memory positions

**NEW**

# SPECIFICATIONS - FIGHTER FU2328 LWB EURO 6



## STEERING

Power Assisted	Tilt/Telescopic Adjustable Steering Wheel
----------------	---

## BRAKES

Type	Full Air, Dual Circuit, FUSO Taper Roller, Automatic Brake adjustment, ABS
ASR (Traction Control)	Yes (Not available on auto model)
Size Front / Rear (mm)	410 x 150 / 410 x 200
Park Brake	Rear Wheel Spring Actuated
Auxiliary	Exhaust Brake
Compressor	Water Cooled, 340cc Single Cylinder with Air Dryer

## WHEELS AND TYRES

Wheels	10, Steel 22.5 x 8.25" ISO 10 Stud
Tyre Size (all)	275 / 70R22.5
Spare Tyre Carrier	Not provided

## CHASSIS

Type	Reinforced Parallel Channel
Size (mm)	280 x 90 x 8.0
Width (mm)	841

Refer to the bodybuilders guidelines on the Fuso website ([www.fuso.co.nz](http://www.fuso.co.nz)) before mounting a body or modifying the chassis

## INSTRUMENTS

Gauges	Speedo, Tacho, Air Pressure, Fuel, Ad Blue
Multi-Information Display (accessed from steering wheel buttons)	Hour Meter, Tripmeter, Outside Temp, Digital Speedo, Advanced Safety Systems control/warning, Water Temp, Fuel Consumption/Range, Cruise Control, DPF Information, Warning Lamps, Service Indicators, Oil Level, Alarm clock
Steering wheel controls	Audio/Phone/Cruise control / Multi-Information Display menu, Air suspension height, Idling speed adjustment

## STANDARD FEATURES

Driving	Electric Windows, Keyless Central Locking, Fluorescent Cabin Lamp, Interior Reading Lamps, Engine Idle Speed Control
Storage	Centre Storage Console, Rear Bunk Storage Pocket, Dash Storage Tray 2 DIN Glove Compartment, 1 Single & 1 Double DIN Slot for Accessories, Overhead Storage Pocket with Lid, RH Door Storage Pocket, Cup Holders (4)
Cab Cooling/Heating	Air Conditioner / Heater / Demister
Accessory Power	24V Accessory Power Outlet

## CAB FEATURES

Type	All Steel Forward Control, Manual Tilt 44 deg.
Mounting	Hydroelastic Susp. 4 Point
Colour	Natural White (W31)
Interior	Fully Trimmed + Heavy Duty Vinyl on floor
Door	90 degree Opening Angle

## SAFETY FEATURES

### ACTIVE SAFETY FEATURES

Electronic Stability Control	Yes	<b>NEW</b>
Active Emergency Braking System	Yes	<b>NEW</b>
Lane Departure Warning System	Yes	<b>NEW</b>
Active Attention Assist	Yes	<b>NEW</b>
Active Side Guard Assist	Yes	<b>NEW</b>

### CAB

Structure	Reinforced, Side Door Intrusion Beams, Transom Window and Rear Quarter Glass, Front Underrun Protector Beam	<b>NEW</b>
Airbags	Driver Air Bag and Seat Belt Pre-tensioner	
Seatbelts	2 ELR Lap Sash, 1 Lap in centre seat	
Steering Wheel	Energy Absorbing, Tilt / Telescopic Adjustable	
Headlamp Auto Sensing	Halogen 2 x 70W / 75W	<b>NEW</b>
Day Time Running Lights	Yes	<b>NEW</b>
Fog Lamps	Yes	<b>NEW</b>
Rearview Mirrors	Remote Control / Heated with separate convex Spotter (Both Sides)	
Wipers	Auto Sensing	<b>NEW</b>
Keyless Central Locking + Immobiliser	Yes	<b>NEW</b>
6.2" Touchscreen Media Unit	AM/FM/DAB + USB + AUX, Apple Carplay / Android Auto, Wi-Fi enabled, Bluetooth, 32GB storage, HD Infrared Reverse Camera	
Connectivity	FMS CANBus Connector, ASAM Sensor Actuator Module	<b>NEW</b>

### CHASSIS

Speed Limiter (100km/hr factory Set)	Yes (adjustable by FUSO dealer)
Cruise Control	Yes
Exhaust Brake	Yes
Anti-Lock Brakes (ABS)	Yes
Hill Start System	Yes (not available on auto model)
Traction Control (ASR)	Yes
Reverse Warning Buzzer	Yes

## CAB FEATURES (continued)

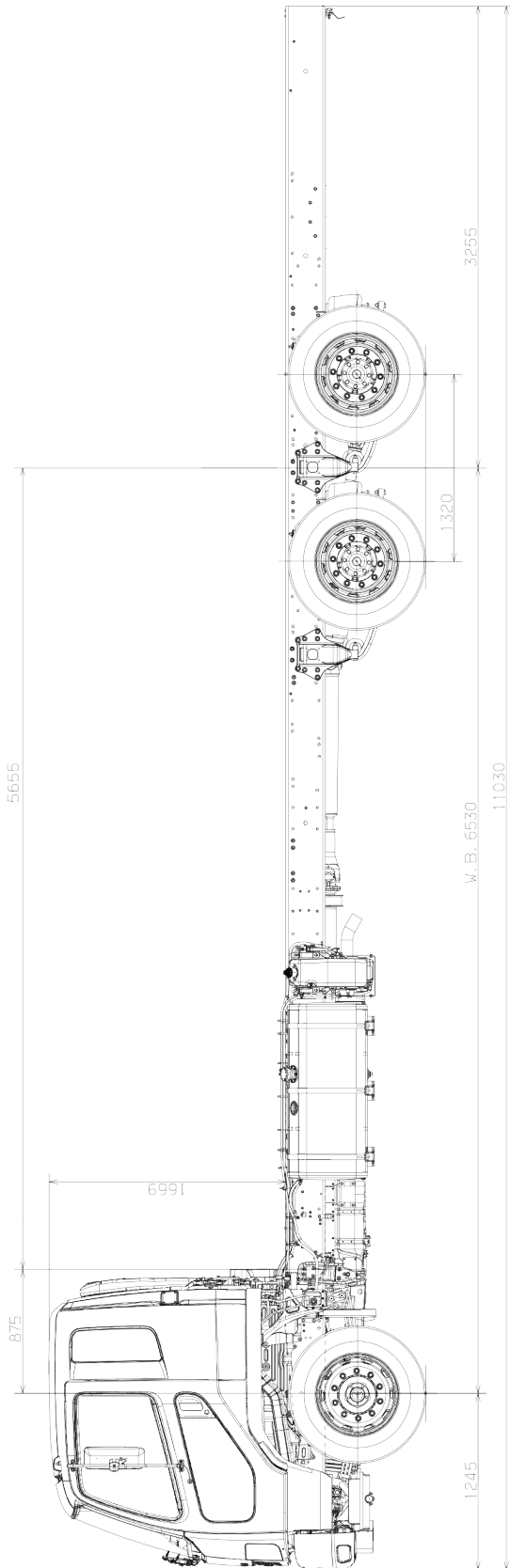
Seat (driver)	ISRI Air Susp. + Auto Levelling, Height, Tilt, Lumbar, Bolster + Dampening Adjust, Integral Headrest, Fabric Trim
Seats (passenger)	Centre: Low Back with Fabric Trim and Forward Folding Far Passenger: Fixed Base with Reclining Seat Back, Integral Headrest and Fabric Trim
Seating Capacity	3
Cab: External	Roof Mounting Points (max. static load 50kg), Front End-Outline Marker Lamps

## KERB WEIGHTS AND MAX AXLE LOADS (kg)

Model		Vehicle Ratings**		Max Axle Loadings**		Kerb Weights*		
		GVM	GCM	Front	Rear	Front	Rear	Total
6x2 FU2328U 9 Sp. Man Air Susp.	FN63FU6RFAK	23,200	N/A	6,500	17,200	3,145	3,210	6,355
6x2 FU2328U 6 Sp. Auto Air Susp.	FN63FU6RFAM	23,200	N/A	6,500	17,200	3,215	3,260	6,475
6x2 FU1828U 9 Sp. Man Air Susp.	FN63FU6RFAK(D)	18,000	N/A	6,500	17,200	3,145	3,210	6,355
6x2 FU1828U 6 Sp. Auto Air Susp.	FN63FU6RFAM(D)	18,000	N/A	6,500	17,200	3,215	3,260	6,475

\* Weights (est.) includes 10L fuel and spare wheel and are subject to 2.5% variation (+/-) \*\* Vehicle ratings and max axle loadings may be limited by local regulations.

# SPECIFICATIONS - FIGHTER FU2328 LWB **EURO 6**



## FIGHTER FU2328 – ‘U’ WHEELBASE

### OPTIONS

Additional Cameras for Media Unit (up to 4), Truck Specific GPS Navigation, Reverse Sensors, Tyre Pressure Monitoring System (up to 36 tyres)

### SERVICE INTERVALS

20,000km or 12 month full service intervals, depending on application/use.

### WARRANTY

#### 5 years / 300,000km

Simply have your vehicle serviced at an authorised FUSO Service Centre, at the recommended servicing intervals, and you are covered by an additional 2 year / 100,000km FUSO warranty on top of the first 3 years / 200,000km. That's a total of 5 years / 300,000km cover.

Refer to terms and conditions in the FUSO warranty booklet for full details.

### PERFORMANCE

	Manual	Auto
Turning Circle (kerb to kerb - metres)	22.0	22.0
Electronically Speed Limited to (km/hr):	100	100
Engine Speed (rpm) at 90km/hr (top gear)	2185	1970
Gradeability at Rated GVM (theoretical)*	34%	40%

\*Theoretical performance only. Actual performance may vary under different conditions

### DIMENSIONS (MM)

	U Wheelbase
Wheelbase	6,530
Length Overall	11,030
Height Overall	2,630
Width Overall	2,470
Width Rear Axle	2,470
Width Front Track	1,925
Width Rear Track	1,850
Width Frame	841
Height Frame at Rear Axle	A/sus = 967 inflated

Scale = 1:50 (20mm = 1 metre). This scale is accurate when used on the original spec sheet, be aware that enlarging these illustrations can alter the scale and cause incorrect measurements. Fuso New Zealand and its authorised dealers always recommend customers seek professional advice from independent sources before commencing any engineering activities.

A policy of continual improvement means that specifications detailed in this brochure are subject to change without notice. Contact your authorised Fuso dealer to confirm current specifications. Fuso is a registered trademark of Mitsubishi Fuso Truck & Bus Corporation. Copyright © Fuso NZ (2021)